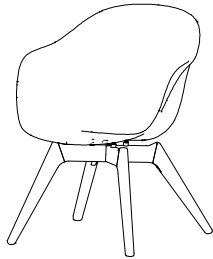


# Adelaide lounge chair

Design by BoConcept

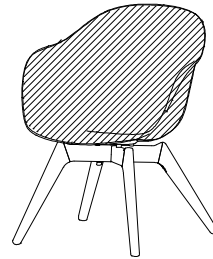
Samvejledning - Assembly Instructions - Montageanleitung - Instructions d'assemblage - Instrucciones de montaje



**402-D083**  
1x2310, 1x2100  
73,0x60,0x61

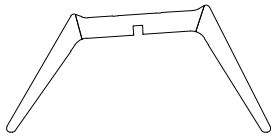


**402-D084**  
1x2310, 1x2180  
73,0x60,0x61

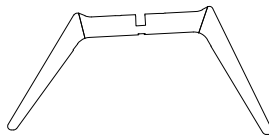


**402-D085**  
1x2310, 1x2240  
73,0x60,0x61

Colli 2



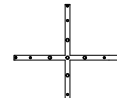
**1**  
004960



**2**  
004961



**3**  
004145



**4**  
004962

Beslag - Beschläge - Fittings - Set de montage  
no. 937000003



**A x 4**  
979900213  
Screw ma M6x12 black



**B x 4**  
970001368  
Distance Washer



**C x 1**  
970001597  
Hex screw M6x35



**D x 4**  
970001378  
M6x73 mm



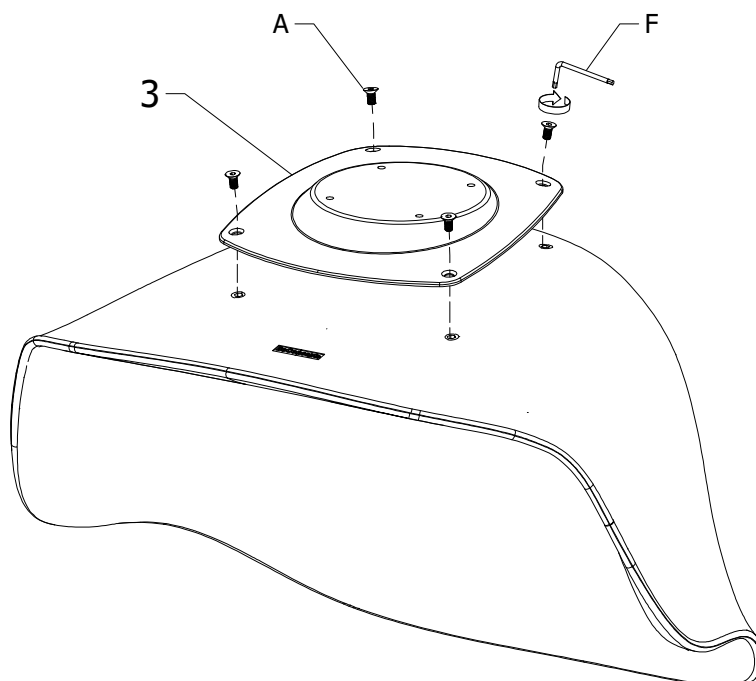
**E x 8**  
970001598  
Screw flh 4x30 black



**F x 1**  
1979300004  
Allen key 4 mm

FIG.  
1

EX. 402-D083



**A x 4**



**F**

125kg/275lb

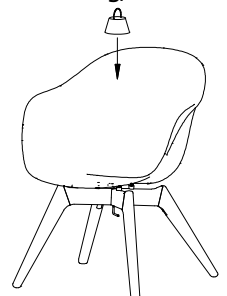


FIG. 2

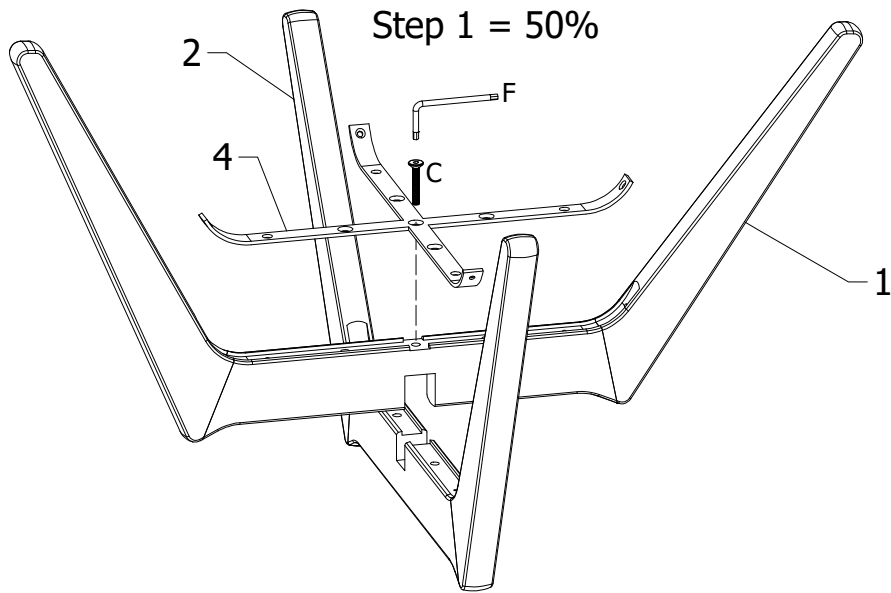
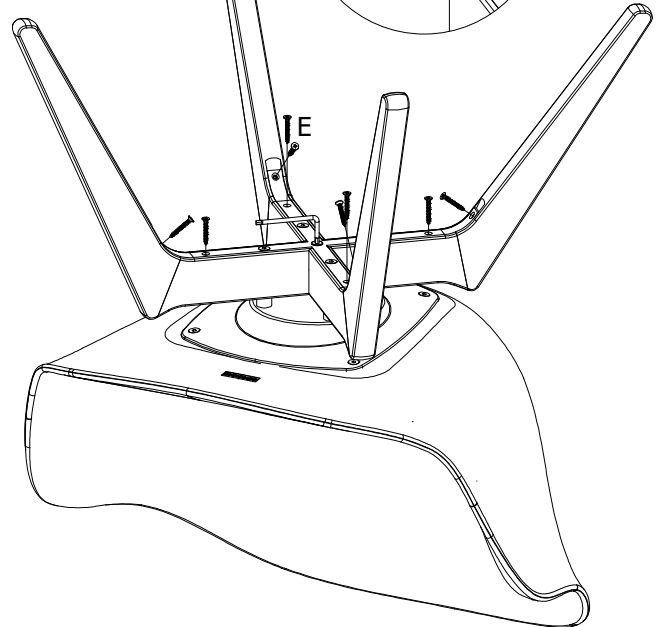
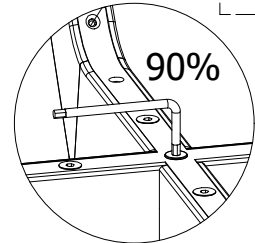
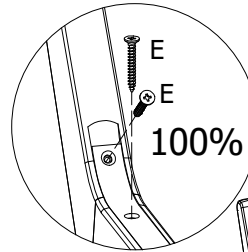
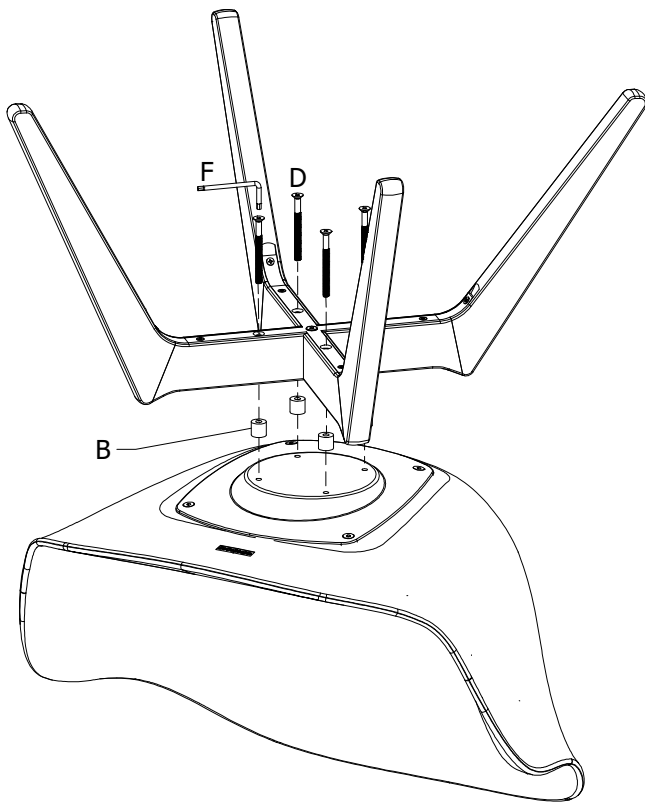


FIG. 3

Step 2 = 100%



DK Ved reklamation oplyses følgende:

D Im Reklamationsfall, bitte folgendes erläutern:

US In case of claims, please state the following:

F En cas de réclamation, veuillez indiquer:

NL Bij service volgene mededelen

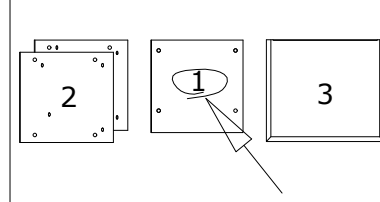
E En caso de reclamación, indicar lo siguiente:

P No caso de reclamação, por favor indique o seguinte:

JP お気づきの点等ございましたら、以下の点をお知らせください。

Example!

Korpus - Korpus - Carcase - Carcasse



Beslag - Fittings - Beschläge - Set de Montage

